

# CONAIR®

## HOSPITALITY

# WCI205

## Conair® Steam and Dry Iron



- Compact Size for Easy Storage
- Auto Shutoff
- Nonstick Soleplate
- See-through Water Tank Window and sliding Tank Cover for Easy Filling
- Adjustable Temperature Control

### Specifications

Rated Power	120 V – 60 Hz
Power Cord	8 foot
Wattage	1100 Watts

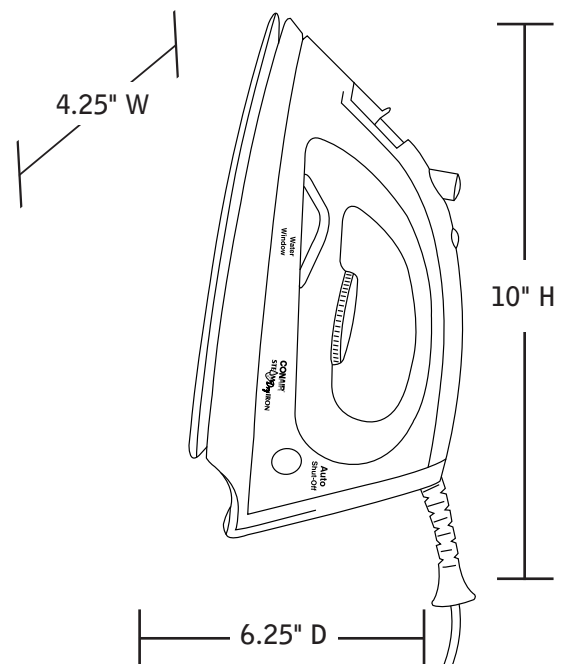


### Packing Dimensions and Weight

Master Pack	6 units
Case Dimensions	14.375" x 10.875" x 10.75"
Case Weight	14.4 lbs.
Case Cube	0.97 cubic feet

### Product UPC      Product MBC

040072001277	10040072001274
--------------	----------------



# CONAIR®

## HOSPITALITY

# WCI205

## Conair® Steam and Dry Iron



- Compact Size for Easy Storage
- Auto Shutoff
- Nonstick Soleplate
- See-through Water Tank Window and sliding Tank Cover for Easy Filling
- Adjustable Temperature Control

### Specifications

Rated Power	120 V – 60 Hz
Power Cord	8 foot
Wattage	1100 Watts



### Packing Dimensions and Weight

Master Pack	6 units
Case Dimensions	14.375" x 10.875" x 10.75"
Case Weight	14.4 lbs.
Case Cube	0.97 cubic feet

### Product UPC

### Product MBC

040072001277

10040072001274

