

CONAIR®

HOSPITALITY

WCI205

Conair® Steam and Dry Iron



- Compact Size for Easy Storage
- Auto Shutoff
- Nonstick Soleplate
- See-through Water Tank Window and sliding Tank Cover for Easy Filling
- Adjustable Temperature Control

Specifications

Rated Power	120 V – 60 Hz
Power Cord	8 foot
Wattage	1100 Watts

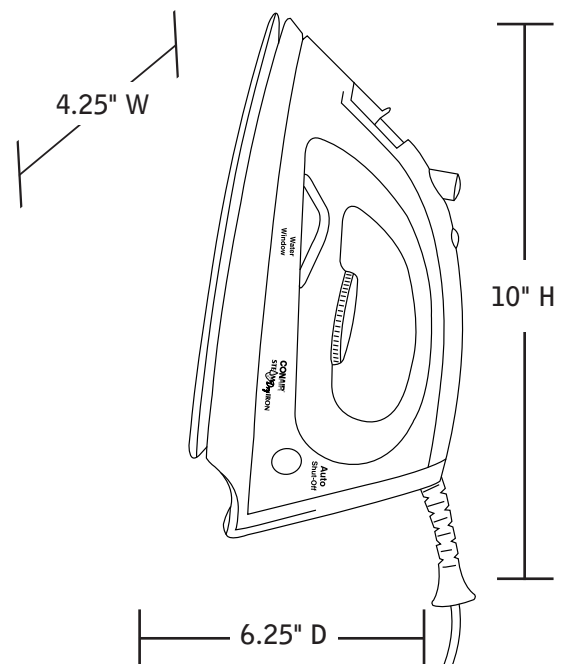


Packing Dimensions and Weight

Master Pack	6 units
Case Dimensions	14.375" x 10.875" x 10.75"
Case Weight	14.4 lbs.
Case Cube	0.97 cubic feet

Product UPC Product MBC

040072001277	10040072001274
--------------	----------------



CONAIR®

HOSPITALITY

WCI205

Conair® Steam and Dry Iron



- Compact Size for Easy Storage
- Auto Shutoff
- Nonstick Soleplate
- See-through Water Tank Window and sliding Tank Cover for Easy Filling
- Adjustable Temperature Control

Specifications

Rated Power	120 V – 60 Hz
Power Cord	8 foot
Wattage	1100 Watts



Packing Dimensions and Weight

Master Pack	6 units
Case Dimensions	14.375" x 10.875" x 10.75"
Case Weight	14.4 lbs.
Case Cube	0.97 cubic feet

Product UPC

Product MBC

040072001277

10040072001274

